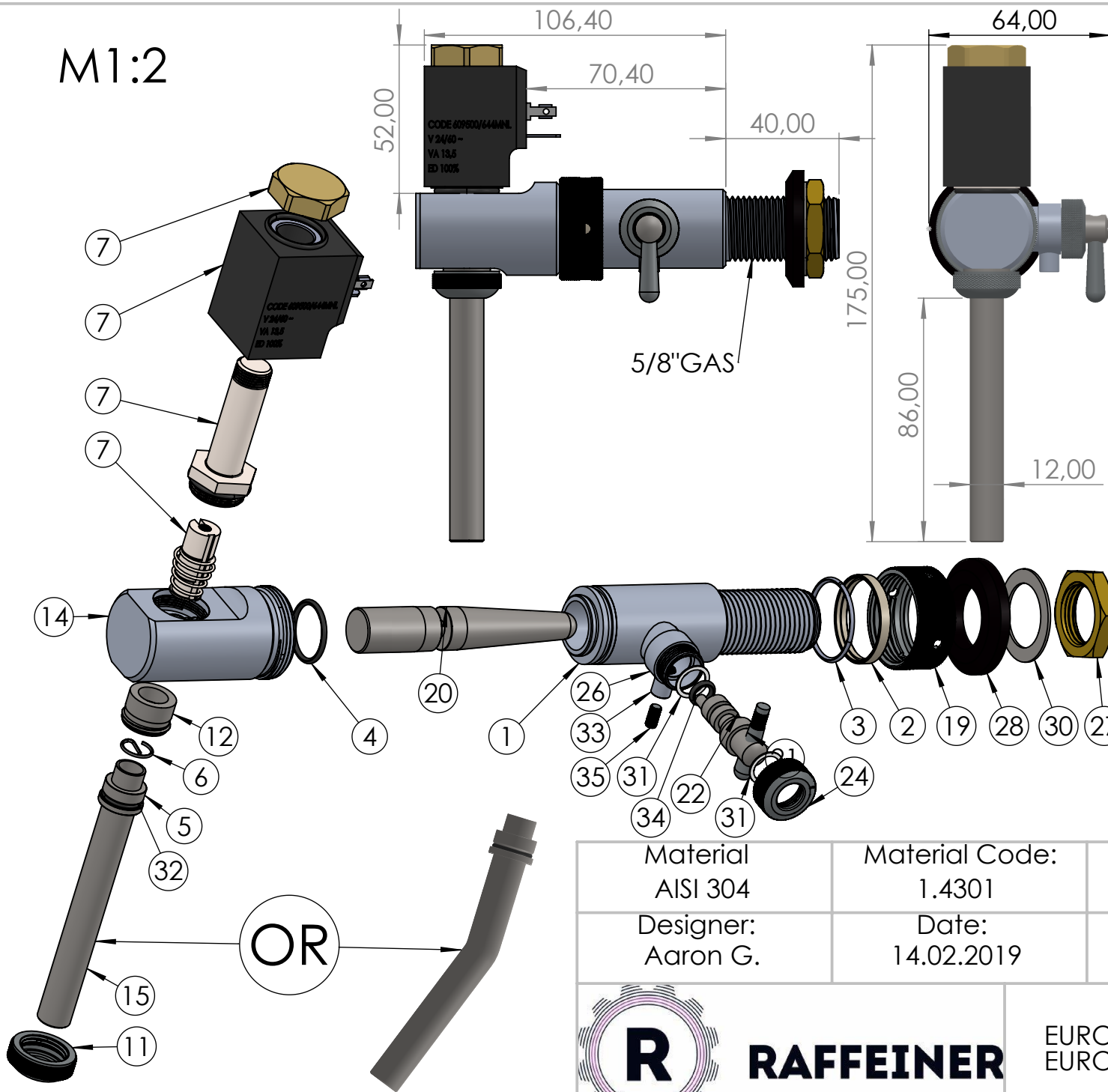


M1:2



POS.	Description	Amount
1	EUR11N40/55-EL-TITAN	1
2	EUR2	1
3	EUR3	1
4	EUR4	1
5	EUR15PR-EL	1
6	EUR12-RINGINOX-EL	1
7	ODE24V-60HZ	1
11	EUR11-EL	1
12	EUR12-EL	1
14	EUR14-EL-TITAN	1
15	EUR15-EL-8	1
19	EUR19	1
20	EUR20	1
21	EUR21CR	1
22	EUR22-EL	1
24	EUR24CR-EL	1
26	EUR26-EL	1
27	EUR27MS-ROH	1
28	EUR28	1
30	EUR30	1
31	EUR31	2
32	EUR32-EL	1
33	EUR33-EL	1
34	EUR34-EL	1
35	EUR35-EL	1

Material AISI 304	Material Code: 1.4301	Surface: Titan optics	Item Nr.: EUROSTARELEKT40-8
Designer: Aaron G.	Date: 14.02.2019	File:	Sheet: 1/1



RAFFEINER

Item:
EUROSTARELEKTRO40-8/9
EUROSTARELEKTRO55-8/9

Confidential: Property of Raffiner GmbH, Naturns, Italy. Not to be handed over to, copied or used by third party. Two- or three dimensional reproduction of contents to be authorized by Raffiner GmbH