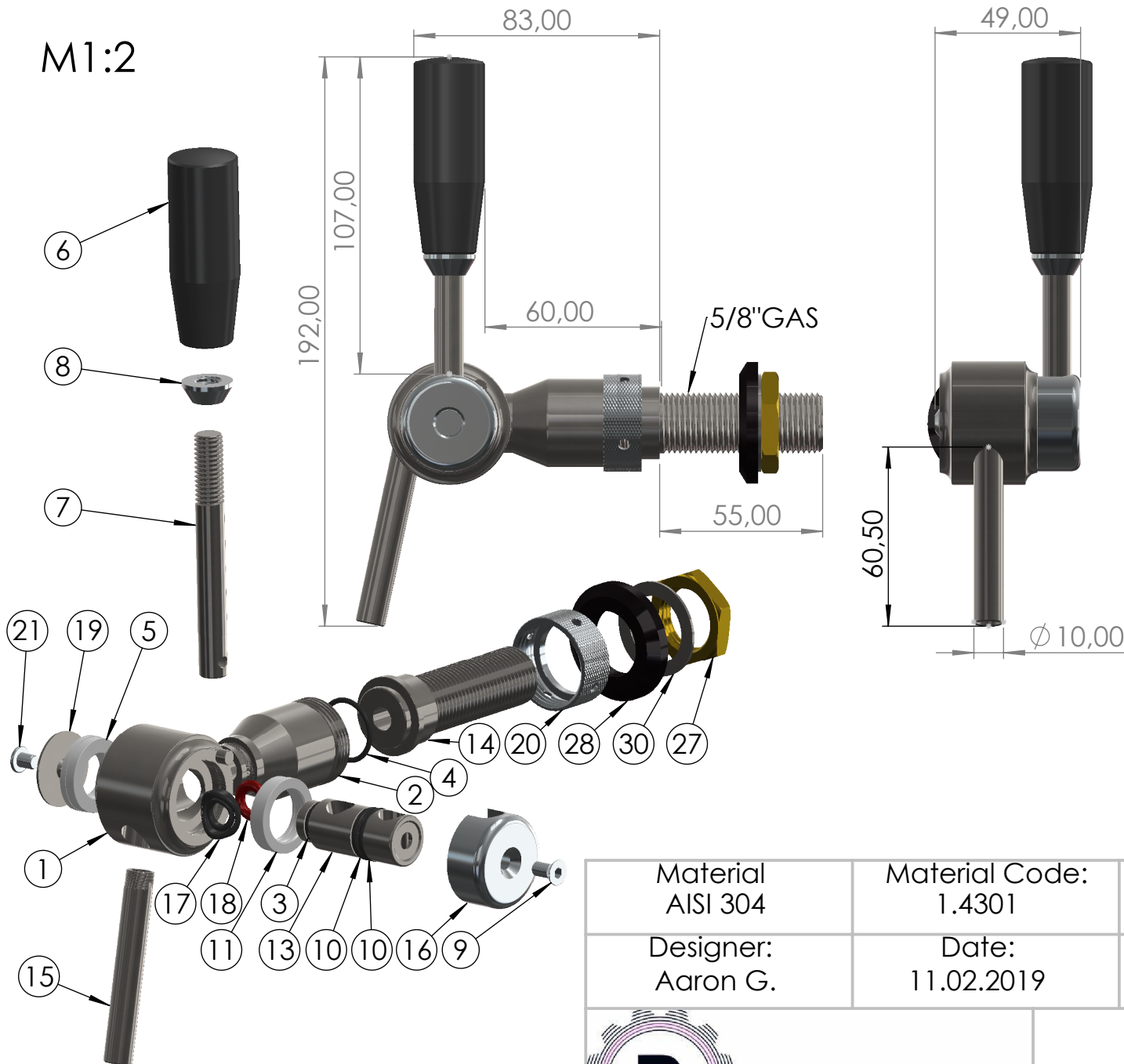


M1:2



POS.	Description	Amount
1	KUG-INOX11N	1
2	KUG-INOX2-OHNE K	1
3	KUG10V-B	1
4	EUR4	1
5	KUG11-B Teflonring	1
6	EUR6	1
7	KUG7	1
8	KUG8CR	1
9	KUG9	1
10	KUG10V	2
11	KUG11 Teflonring	1
12	KUG-INOX12	1
13	KUG-INOX13	1
14	KUG-INOX- VERL5/8"-55 OHNE	1
15	KUG15	1
16	KUG-INOX16CR	1
17	KUG17	1
18	KUG18	1
19	KUG-INOX19	1
20	JUN19CR	1
21	KUG-INOX8	1
27	EUR27MS-ROH	1
28	EUR28	1
30	EUR30	1

Material AISI 304	Material Code: 1.4301	Surface: bright polished	Item Nr.: KUGELHAHN35INOX/ 55INOX-OHNE K
Designer: Aaron G.	Date: 11.02.2019	File:	Sheet: 1/1



Beer tap
Sparkling water tap
Hot drinks tap

Confidential: Property of Raffener GmbH, Naturns, Italy. Not to be handed over to, copied or used by third party. Two- or three dimensional reproduction of contents to be authorized by Raffener GmbH