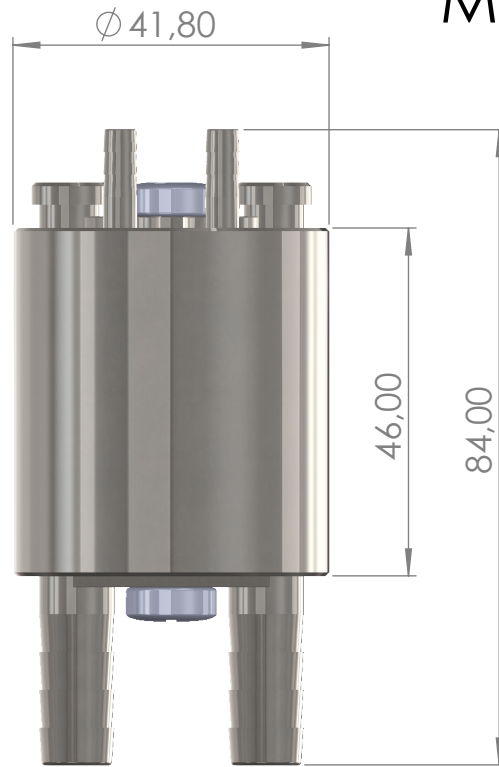
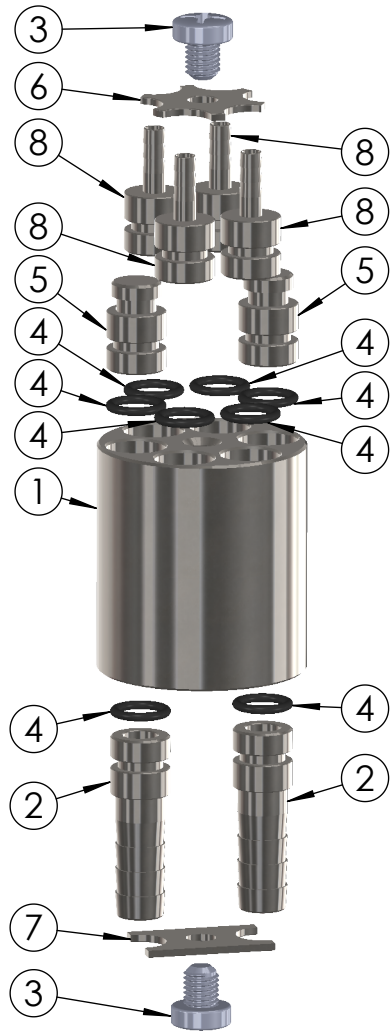
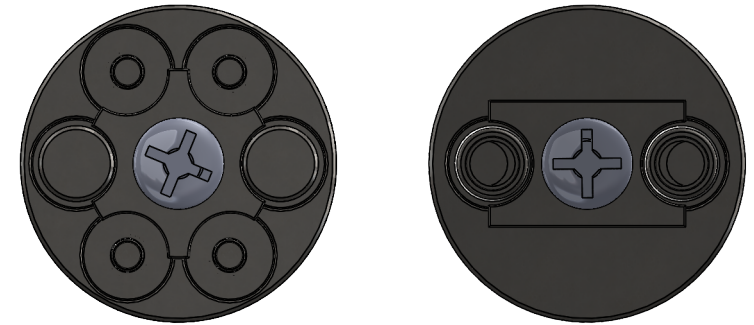


M1:1.5



M1:1

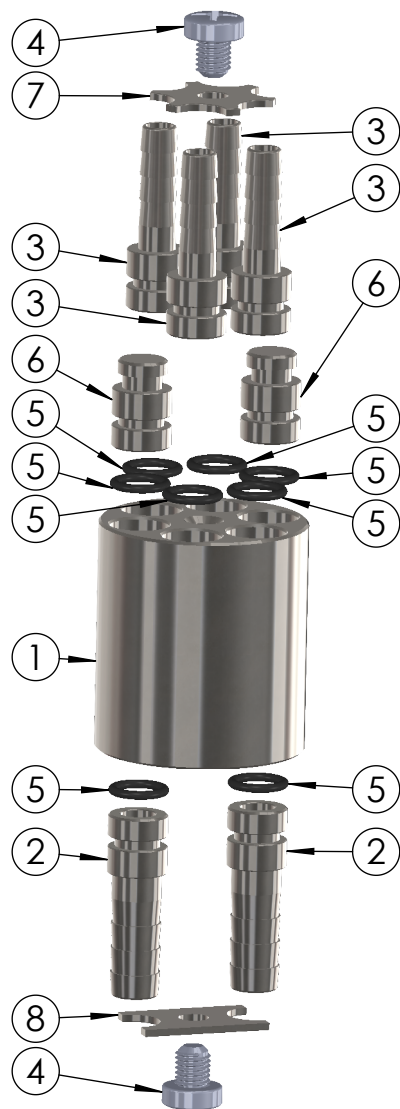


POS.	Description	Amount
1	SODAVERT-KÖRPER GESCH	1
2	SODA-TÜLLEØ10MM	2
3	SCHRAUBE-TC6X8-INOX	2
4	SODA-OR8,50X1,80	8
5	SODA-BLIND	2
6	SODA-BEF.BLECH6	1
7	SODA-BEF.BLECH2	1
8	SODA-TÜLLEØ4,5MM	4

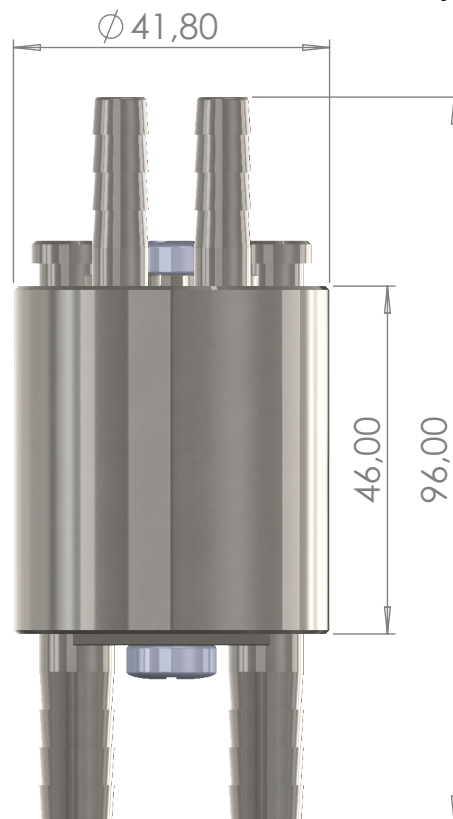
Material AISI 304	Material Code: 1.4301	Surface: milled/turned	Item Nr.: SODAVERTILERS-2/6-Ø4
Designer: Aaron G.	Date: 15.02.2019	File:	Sheet: 1/1

	Item:		Confidential: Property of Raffiner GmbH, Naturns, Italy. Not to be handed over to, copied or used by third party. Two- or three dimensional reproduction of contents to be authorized by Raffiner GmbH
	<b>RAFFEINER SODAVERTILERS-2/6-Ø4</b>		

M1:1.5

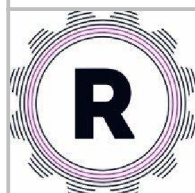


M1:1



POS.	Description	Amount
1	SODAVERT-KÖRPER GESCH	1
2	SODA-TÜLLEØ10MM	2
3	SODA-TÜLLEØ7.5MM	4
4	SCHRAUBE-TC6X8-INOX	2
5	SODA-OR8,50X1,80	8
6	SODA-BLIND	2
7	SODA-BEF.BLECH6	1
8	SODA-BEF.BLECH2	1

Material AISI 304	Material Code: 1.4301	Surface: milled/turned	Item Nr.: SODAVERTILERS-2/6-Ø7
Designer: Aaron G.	Date: 15.02.2019	File:	Sheet: 1/1



**RAFFEINER** SODAVERTILERS-2/6-Ø7

Item:

Confidential: Property of Raffiner GmbH, Naturns, Italy. Not to be handed over to, copied or used by third party. Two- or three dimensional reproduction of contents to be authorized by Raffiner GmbH