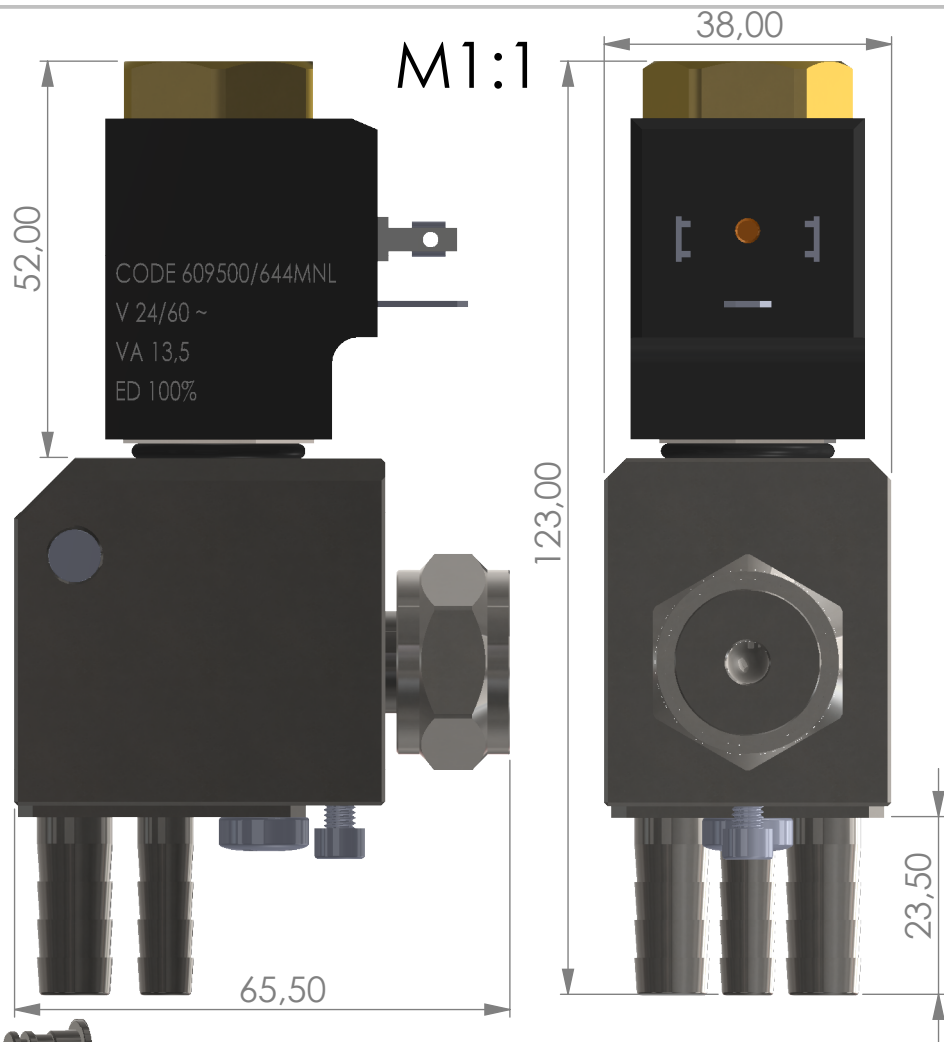
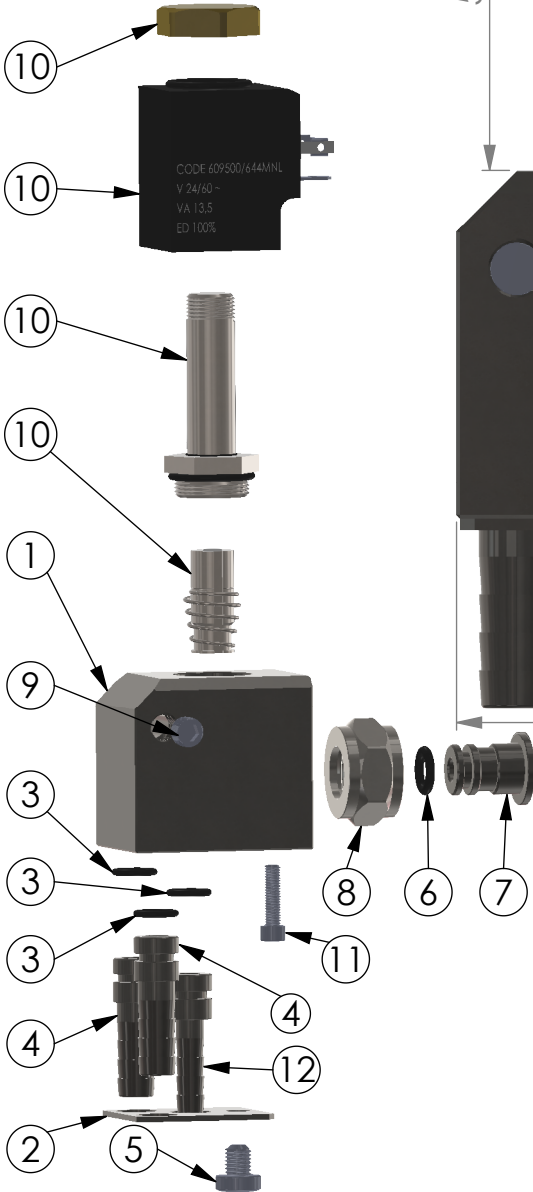
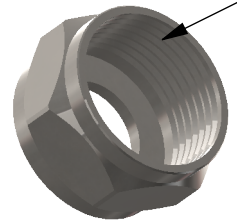


M1:2



POS.	Description	Amount
1	COOLV-KÖRPER	1
2	COOLV-BEF.BLECH3	1
3	SODA-OR8,50X180	3
4	SODA-TÜLLEØ10MM	2
5	SCHRAUBE-TC6X8-INOX	1
6	COOLV-OR8X2,5	1
7	VALVE-COOLC-VERB.TÜLLE	1
8	ÜBERWM-6K-5-8"-NI	1
9	COOLV-M8X6	1
10	ODE24V-60HZ	1
11	SCHRAUBE-TCEI4X16-INOX	1
12	SODA-TÜLLEØ7.5MM	1

M1:1
5/8" GAS



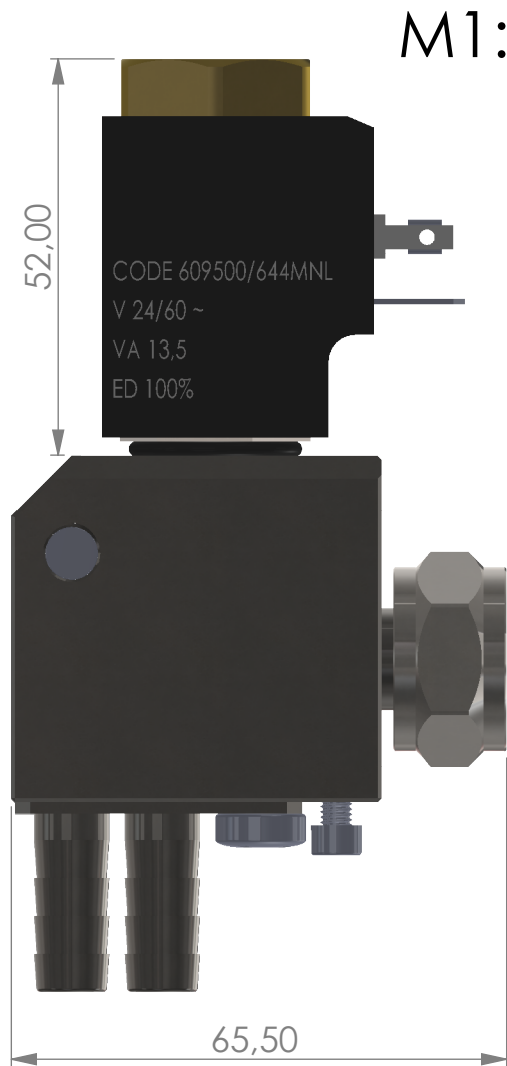
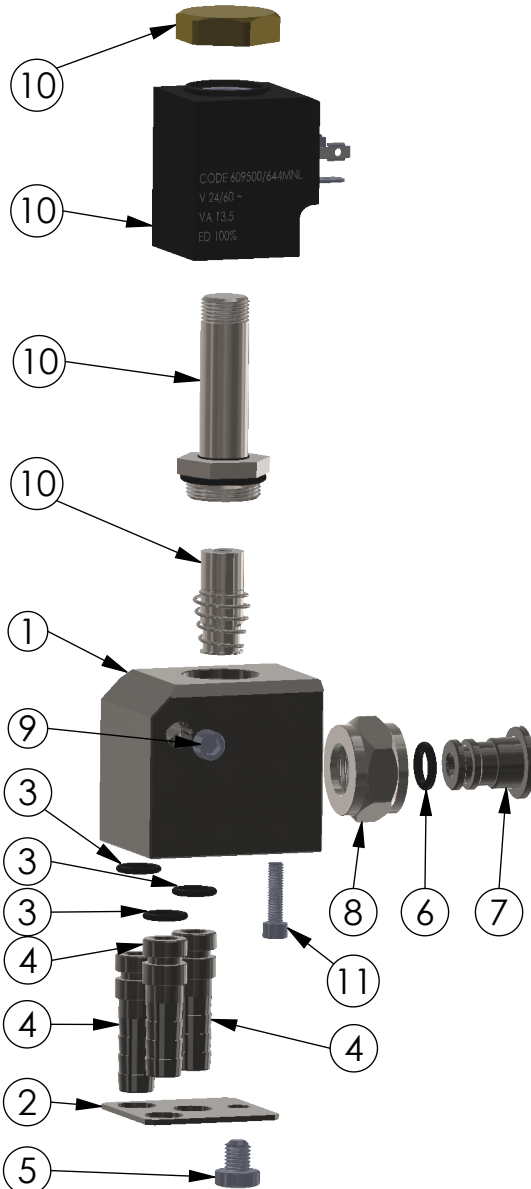
Material AISI 304	Material Code: 1.4301	Surface: milled/turned	Item Nr.: COOLVALVEØ7
Designer: Aaron G.	Date: 14.02.2019	File:	Sheet: 1/1

Item:

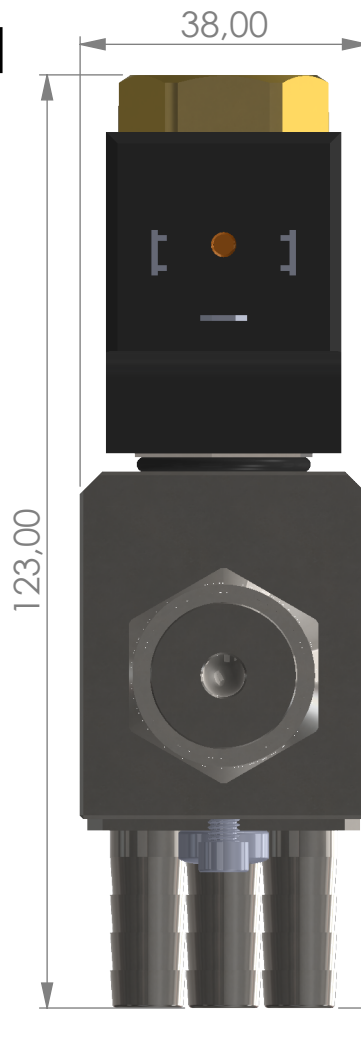
COOLVALVEØ7

Confidential: Property of Raffainer GmbH, Naturns, Italy. Not to be handed over to, copied or used by third party. Two- or three dimensional reproduction of contents to be authorized by Raffainer GmbH

M1:2

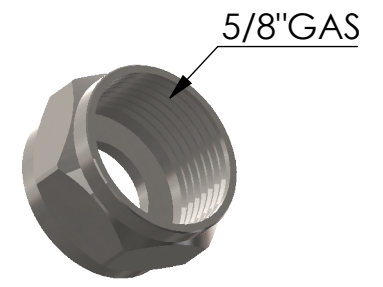


M1:1



POS.	Description	Amount
1	COOLV-KÖRPER	1
2	COOLV-BEF.BLECH3	1
3	SODA-OR8,50X180	3
4	SODA-TÜLLEØ10MM	3
5	SCHRAUBE-TC6X8-INOX	1
6	COOLV-OR8X2,5	1
7	VALVE-COOLC-VERB.TÜLLE	1
8	ÜBERWM-6K-5-8"-NI	1
9	COOLV-M8X6	1
10	ODE24V-60HZ	1
11	SCHRAUBE-TCEI4X16-INOX	1

M1:1



Material AISI 304	Material Code: 1.4301	Surface: milled/turned	Item Nr.: COOLVALVEØ10
Designer: Aaron G.	Date: 14.02.2019	File:	Sheet: 1/1



Item:
COOLVALVEØ10#

Confidential: Property of Raffener GmbH, Naturns, Italy. Not to be handed over to, copied or used by third party. Two- or three dimensional reproduction of contents to be authorized by Raffener GmbH