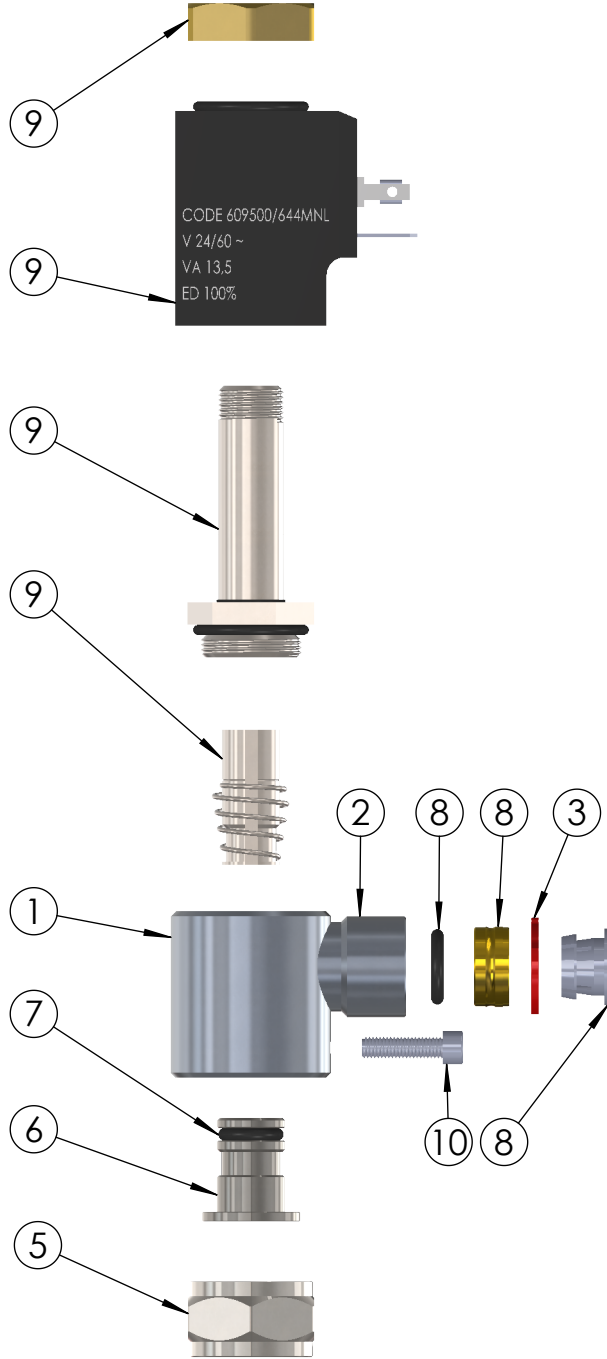


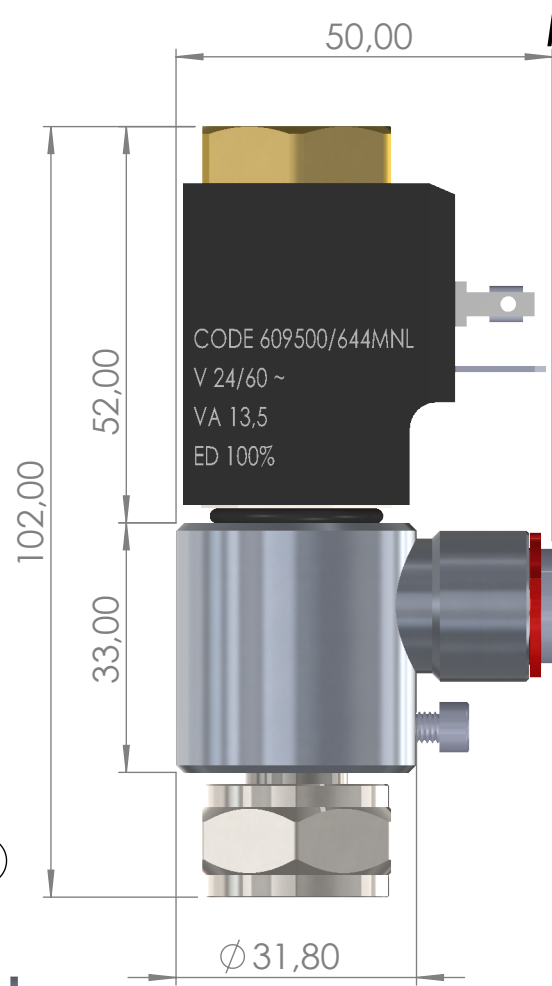
M1:1.5



CODE 609500/644MNL  
V 24/60 ~  
VA 13,5  
ED 100%

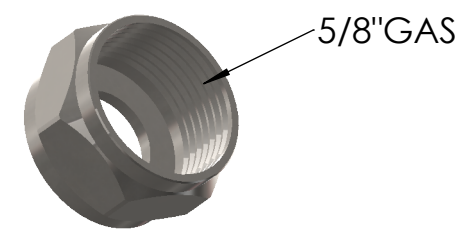
CODE 609500/644MNL  
V 24/60 ~  
VA 13,5  
ED 100%

M1:1



POS.	Description	Amount
1	VALVE-HORIZ-KÖRPER	1
2	VALVE-HORIZ-SCHWEISS	1
3	JOHNG-PIC1812R	1
4	VALVE-VENTILSITZ	1
5	ÜBERWM-6K-5-8"-NI	1
6	VALVE-COOLV-VERB.TÜLLE	1
7	COOLV-OR8X2,5	1
8	JOHNG-MI2812N	1
9	ODE24V-60HZ	1
10	SCHRAUBE-TCEI4X16-INOX	1

M1:1



Material AISI 304	Material Code: 1.4301	Surface: Titan optics	Item Nr.: VALV-HORIZ-JG3-8"
Designer: Aaron G.	Date: 18.02.2019	File:	Sheet: 1/1

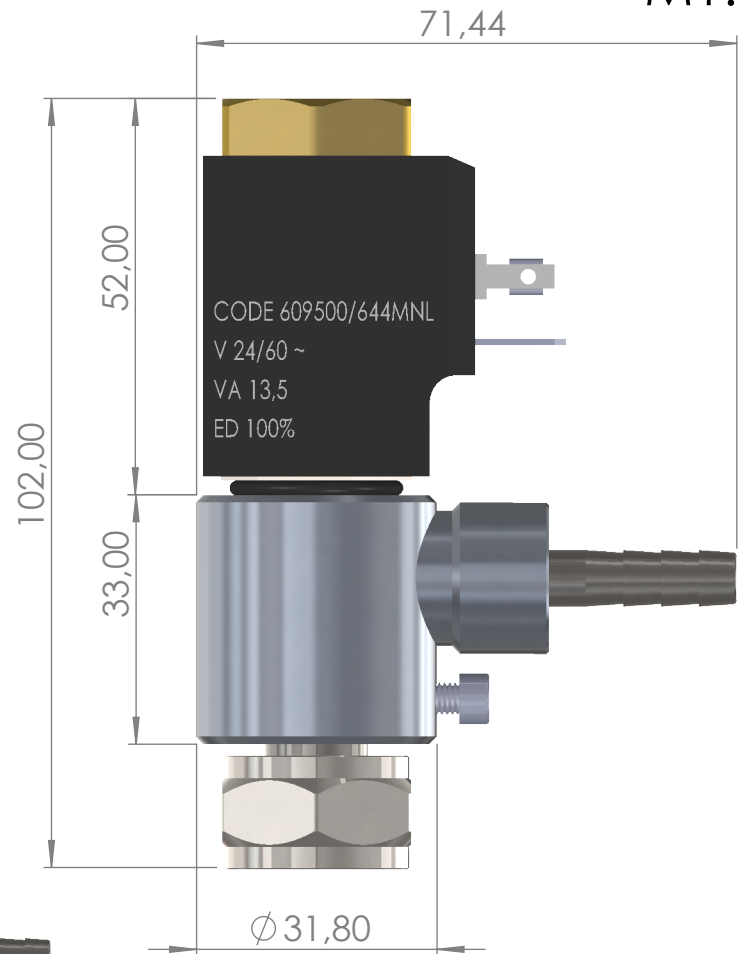
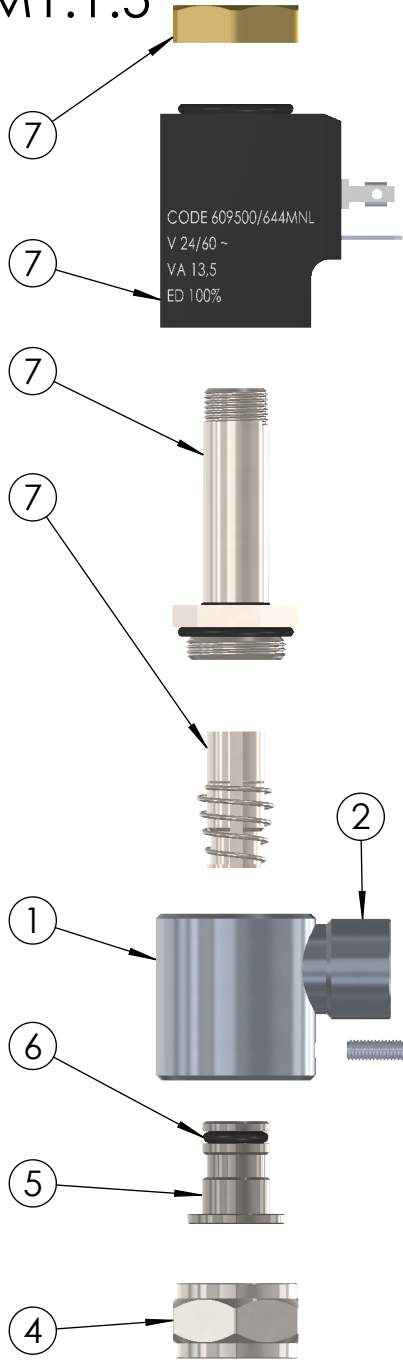
**RAFFEINER**

Item:

**VALV-HORIZ-JG3-8"**

Confidential: Property of Raffiner GmbH, Natums, Italy. Not to be handed over to, copied or used by third party. Two- or three dimensional reproduction of contents to be authorized by Raffiner GmbH

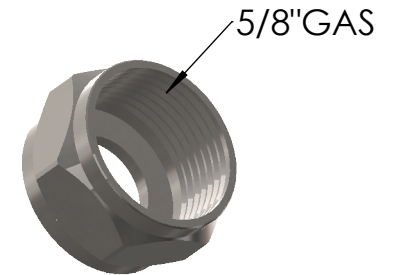
M1:1.5



M1:1

POS.	Description	Amount
1	VALVE-HORIZ-KÖRPER	1
2	VALVE-HORIZ-SCHWEISS	1
3	VALVE-VENTILSITZ	1
4	ÜBERWM-6K-5-8"-NI	1
5	VALVE-COOLV-VERB.TÜLLE	1
6	COOLV-OR8X2,5	1
7	ODE24V-60HZ	1
8	SCHRAUBE-TCEI4X16-INOX	1
9	VALVE-SCHL.TÜLLEØ7	1

M1:1



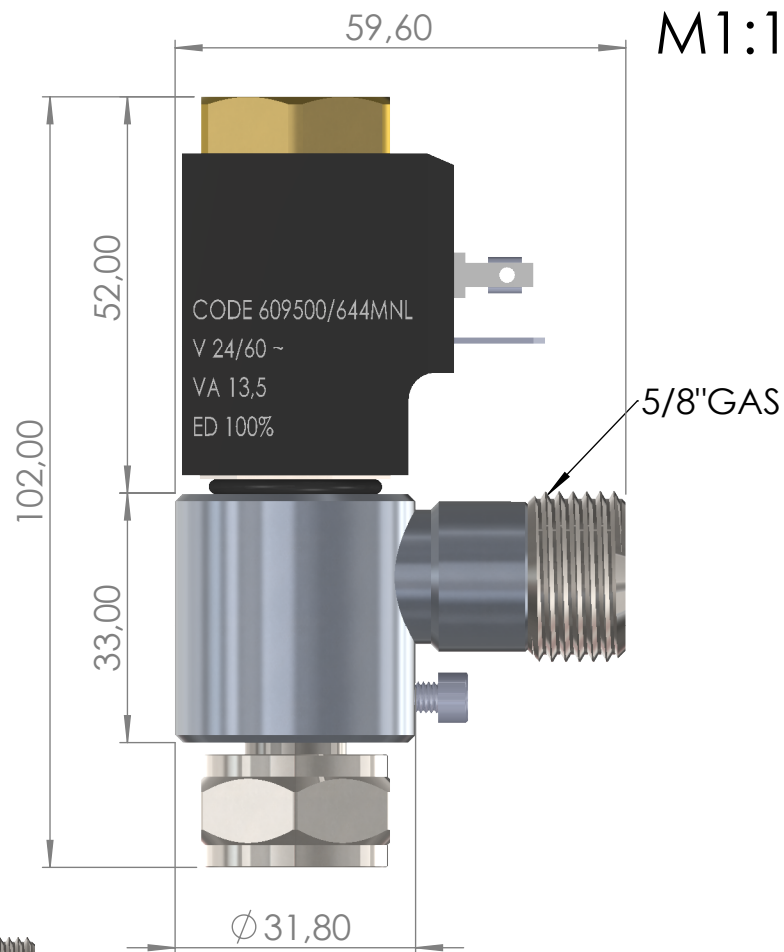
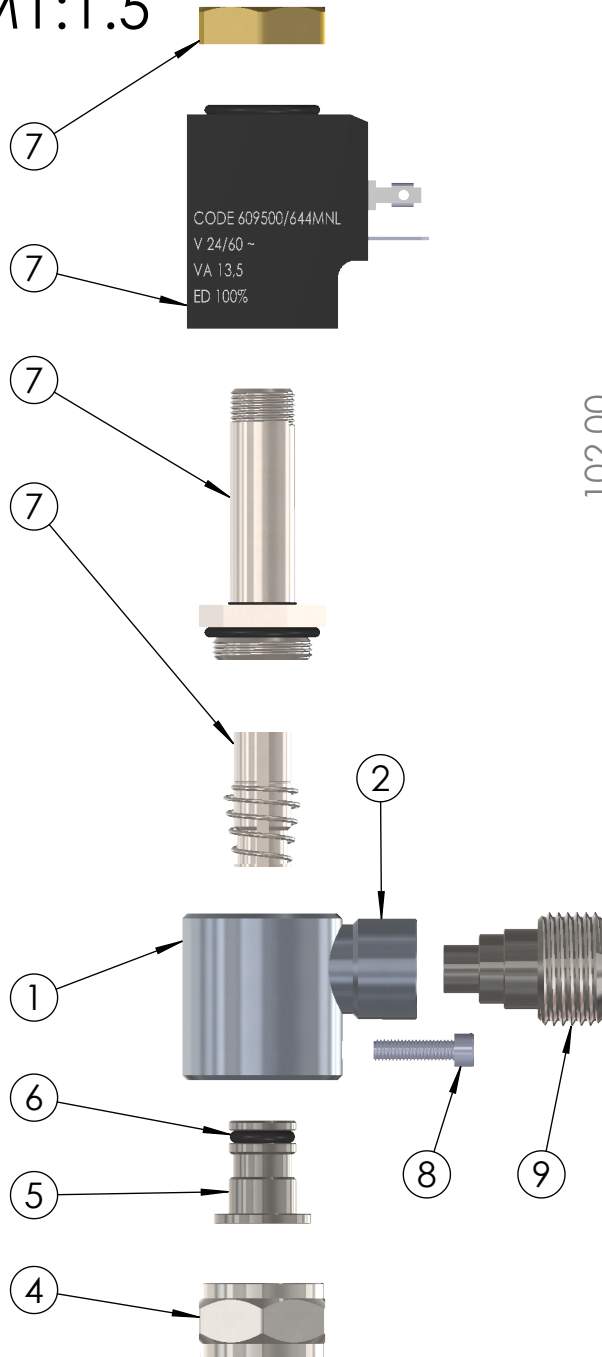
Material AISI 304	Material Code: 1.4301	Surface: Titan optics	Item Nr.: VALVE-HORIZØ7
Designer: Aaron G.	Date: 18.02.2019	File:	Sheet: 1/1



Item:  
**VALVE-HORIZØ7**

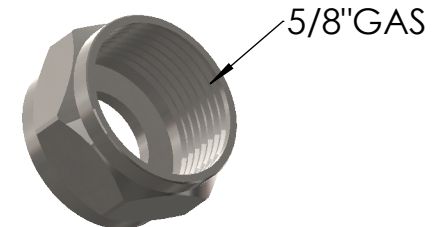
Confidential: Property of Raffainer GmbH, Naturns, Italy. Not to be handed over to, copied or used by third party. Two- or three dimensional reproduction of contents to be authorized by Raffainer GmbH

M1:1.5



POS.	Description	Amount
1	VALVE-HORIZ-KÖRPER	1
2	VALVE-HORIZ-SCHWEISS	1
3	VALVE-VENTILSITZ	1
4	ÜBERWM-6K-5-8"-NI	1
5	VALVE-COOLV-VERB.TÜLLE	1
6	COOLV-OR8X2,5	1
7	ODE24V-60HZ	1
8	SCHRAUBE-TCEI4X16-INOX	1
9	VALVE-SCH.TÜLLE-5-8"GAS	1

M1:1



Material AISI 304	Material Code: 1.4301	Surface: Titan optics	Item Nr.: VALVE-HORIZ-5-8"
Designer: Aaron G.	Date: 18.02.2019	File:	Sheet: 1/1



Item:  
**VALVE-HORIZ-5-8"**

Confidential: Property of Raffiner GmbH, Naturns, Italy. Not to be handed over to, copied or used by third party. Two- or three dimensional reproduction of contents to be authorized by Raffiner GmbH